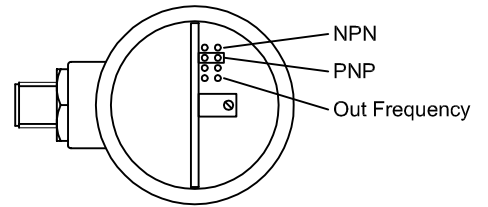
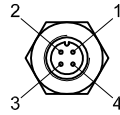


Output Selection

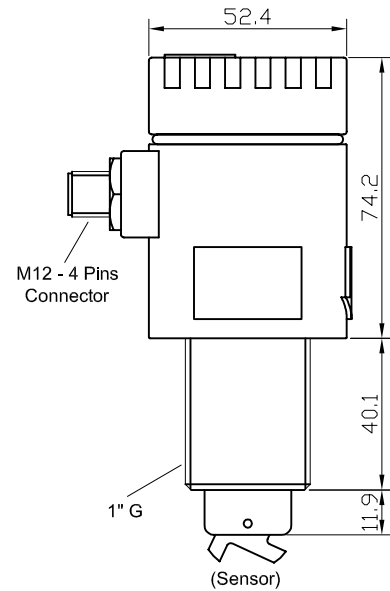
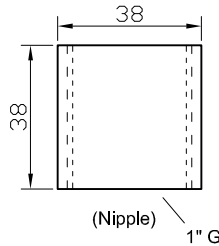
Pin	Function
1	+ Power Supply (7±30Vdc)
2	Frequency Output (optional)
3	Negative Power Supply
4	Output PNP (NPN optional)



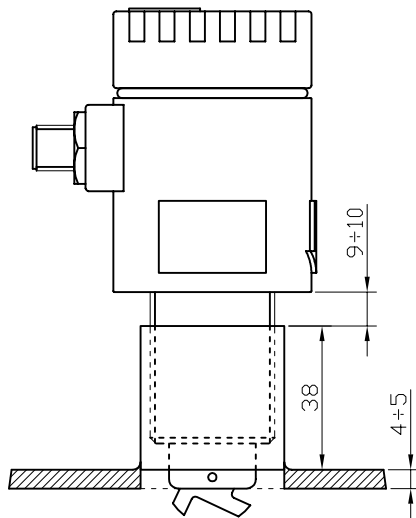
Output Selection

Please use jumper to select output type. Default is PNP and no frequency output. NPN and PNP outputs are mutually exclusive and activated when flow > 0.1m/s. Output Frequency is enabled closing the jumper. Frequency output is 2 pulse/rev - 5Vpp

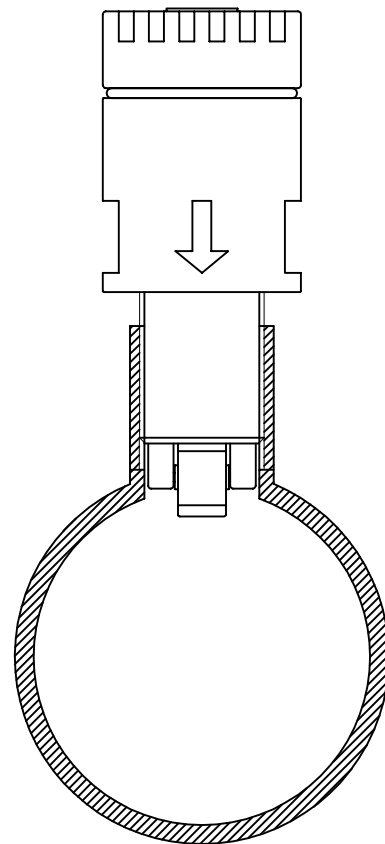
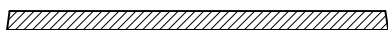
Scala 1:1
All dimensions are in mm




TPO40064



← FLOW



Rev:	Date:	Descrizione modifiche - Description of changes:	SAN GIORGIO S.E.I.N. GENOVA - ITALY 		
0	19/02/10	Prima emissione	Tel. 010-8301222 - www.sangiorgiosein.com		
1	03/03/10	Aggiunto schema collegamento	Flux turbine flow switch sensor in water pipes - TPO40064		
2	05/03/10	Aggiunto relè per contatto pulito	Number:	Sheet:	Date:
3	06/07/10	Modificate dimensioni e collegamento elettrico	D100221	1/1	13/02/14
4	13/02/14	Aggiunta vista jumper selection e note	Size:	A4	
		Compiled:	Checked:	Approved:	
		Garsi P.	Cancilleri G.	Manuelli M.	