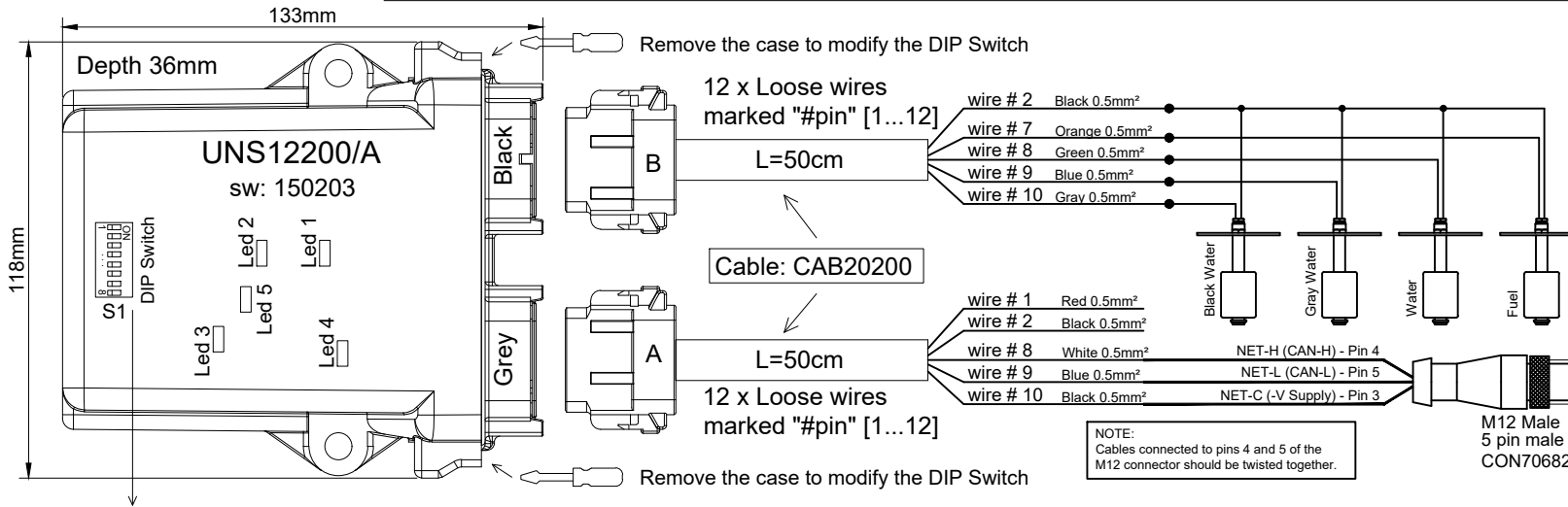


UNS12200/A - MULTIFUNCTION CONVERTER



PGN TRANSMITTED ON NMEA2000

PGN Fluid Level = 127505

Fuel: Fluid Type = 0, Fluid Instance = 0
 Fresh Water: Fluid Type =1, Fluid Instance =0
 Gray Water: Fluid Type =2, Fluid Instance =0
 Black Water: Fluid Type =5, Fluid Instance =0

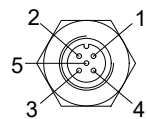
DIP SWITCH DESCRIPTION

Dip	Function
1	Reserved
2	Reserved
3	Reserved
4	Reserved
5	Fluid instance
6	Fluid instance
7	NMEA 2000 Dev. Instance
8	NMEA 2000 Dev. Instance

INTERNAL DIAGNOSTIC LED

Led 1 (green): 5VP - ON => Ok
 Led 2 (green): 3V3P - ON => Ok
 Led 3 (green): CPU - If Main Run. => blinking with T_On=1s + T_Off=1s.
 Otherwise failure => ON (and also during the PowerOn) or OFF.
 Led 4 (green): FAULT - ON => Cumulative Fault
 Led 5 (green): CanBus Status - ON: message transmission or reception.

PINOUT NMEA2000 - M12 MALE CONNECTOR



- | | |
|---|--|
| 1 | Shield |
| 2 | NET-S (+V Supply) |
| 3 | NET-C (-V Supply) - Pin 10 Connector "A" |
| 4 | NET-H (CAN-H) - Pin 8 Connector "A" |
| 5 | NET-L (CAN-L) - Pin 9 Connector "A" |

EXTERNAL CONNECTION

Connector A (DTM06-12SA - Grey)

- Power supply (12...24Vdc)
- GND
- Not Connected (NC)
- Not Connected (NC)
- Not Connected (NC)
- Not Connected (NC)
- Not Connected (NC)
- NMEA 2000 NET-H (CAN-H)
- NMEA 2000 NET-L (CAN-L)
- Not Connected (NC)
- Not Connected (NC)

Connector B (DTM06-12SB - Black)

- Not Connected (NC)
- GND
- Not Connected (NC)
- Not Connected (NC)
- Not Connected (NC)
- Not Connected (NC)
- Fuel Level Input (VDO)
- Water Level Input (VDO)
- Gray Water Level Input (VDO)
- Black Water Level Input (VDO)
- Not Connected (NC)
- Not Connected (NC)

DIP SWITCH ENGINE CUSTOMIZATION

Dip	SINGLE ENGINE		DUAL ENGINE	
			PORT	STBD
7	OFF		OFF	ON
8	OFF		OFF	ON

S1 CUSTOMIZATION BY DEFAULT

Dip 1 = OFF	Dip 4 = OFF	Dip 7 = OFF
Dip 2 = OFF	Dip 5 = OFF	Dip 8 = OFF
Dip 3 = OFF	Dip 6 = OFF	

TECHNICAL SPECIFICATIONS

Protection grade: IP68
 Power Supply: 9...32Vdc
 Current Consumption: <500mA
 Weight: <0.5kg

Temp. Range: -20...+70°C
 IMC: IEC60945
 Dimension: 118x133x36mm

Deutsch Connectors:

"A" DTM06-12SA (CON70389) + WM-12S (CON70391) + 12x0462-201-20141 (CON70216/5) + DTM12S-BT (CON70914)
 "B" DTM06-12SB (CON70390) + WM-12S (CON70391) + 12x0462-201-20141 (CON70216/5) + DTM12S-BT-BK (CON70913)

Deutsch Accessories:

Pin Extractor: SRK-RT-01
 Crimping Tool: HDT-48-00

Rev:	Date:	Descrizione modifiche - Description of changes:	SAN GIORGIO S.E.I.N. GENOVA - ITALY			
1	30/03/15	Aggiunte note	Tel. 010-8301222 - www.sangiorgiosein.com			
2	01/04/15	Aggiunto codice scatola contenimento convertitore	Wiring diagram NMEA2000 Converter			
3	19/05/15	Modificata lunghezza cavi da 100 a 50cm				
4	14/07/15	Aggiunti codici cavi e connettori				
5	14/02/20	Inserimento Pinout connettore M12-5pin				
6	23/07/21	Inserita note con collegamento singolo e doppio motore a DIP Switch N° 7 - 8 e modificato layout disegno				
Se non diversamente specificato, tutte le dimensioni sono da intendersi in mm e le tolleranze delle quote ±0.1mm			Number: D150210	Product code: UNS12200/A	Sheet: 1/1	Size: A4
			Compiled: Silvestri M.	Checked: Casaretto G.	Approved: Manuelli M.	