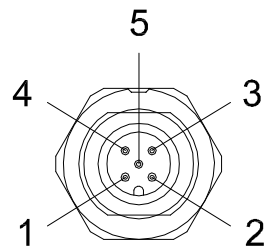
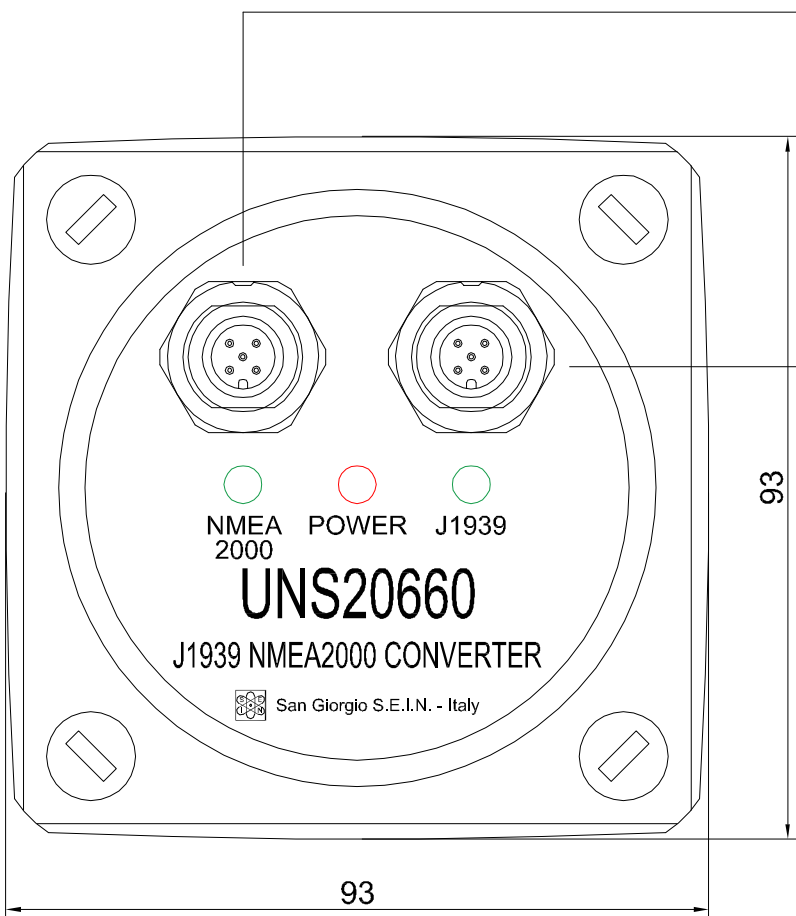


UNS20660 - J1939 NMEA2000 CONVERTER

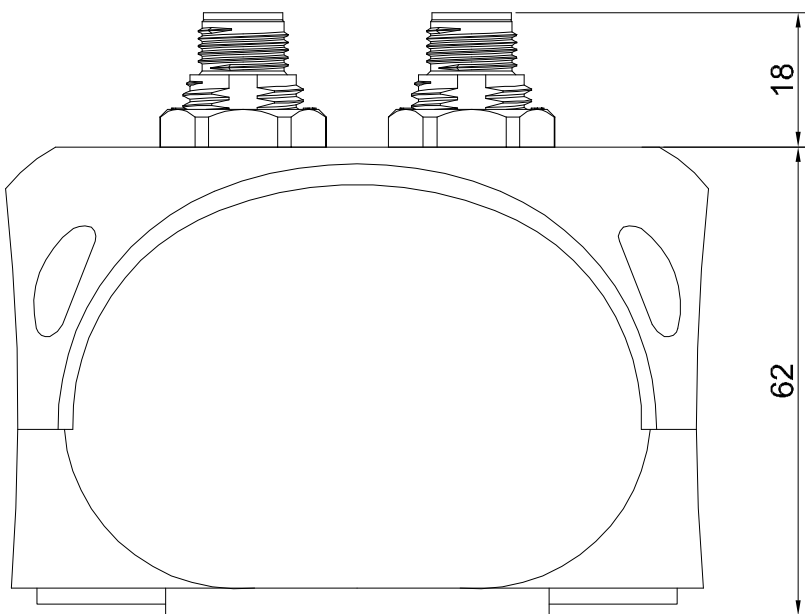


M12 Male Connector
5 Pins Male

Pin	Function J1939
1	J1939 Shield
2	J1939 (+V Supply)
3	J1939 (-V Supply)
4	J1939 (CAN-H)
5	J1939 (CAN-L)

Pin	Function NMEA2000
1	Shield
2	NET-S (+V Supply)
3	NET-C (-V Supply)
4	NET-H (CAN-H)
5	NET-L (CAN-L)

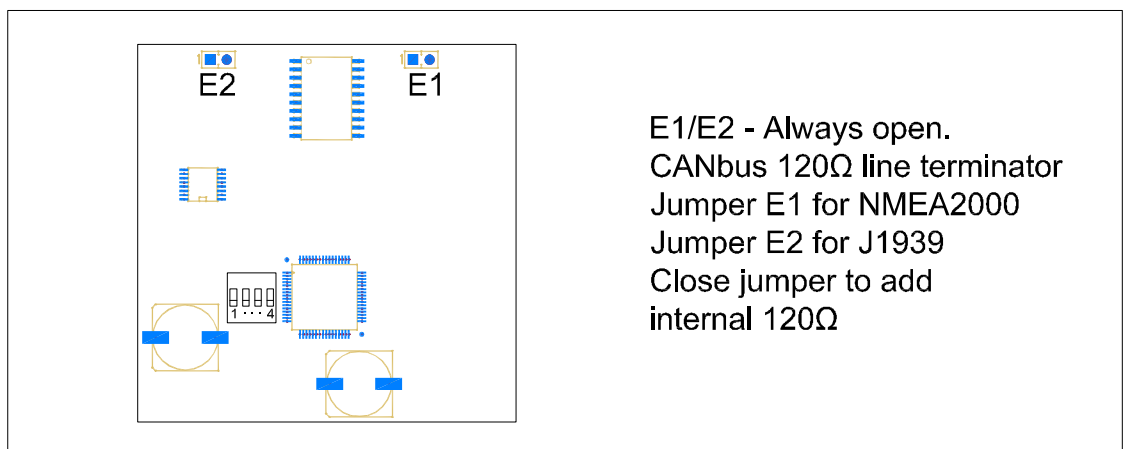
Status LED		
Green	NMEA2000	STATUS: ON = MESSAGE RX Slow blink [T_On=T_Off=1s] = Ok. Fast blink [T_On=T_Off=200ms] = Fault.
Red	POWER	
Green	J1939	STATUS: ON = MESSAGE RX



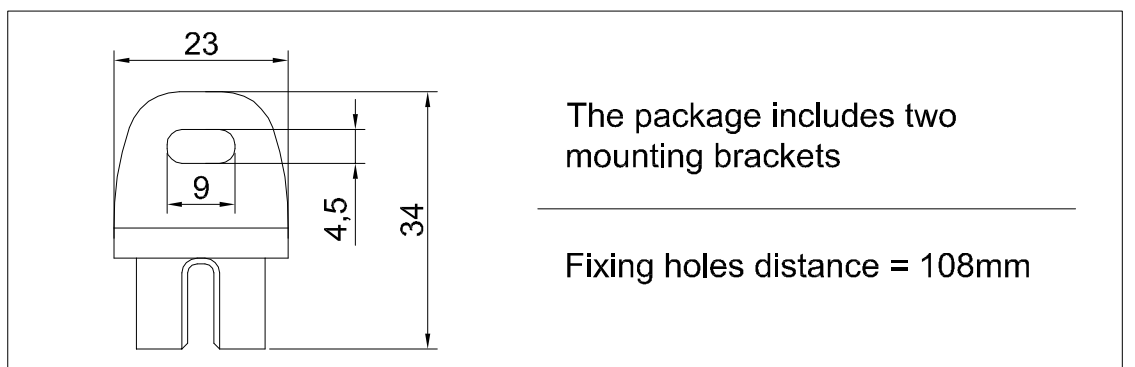
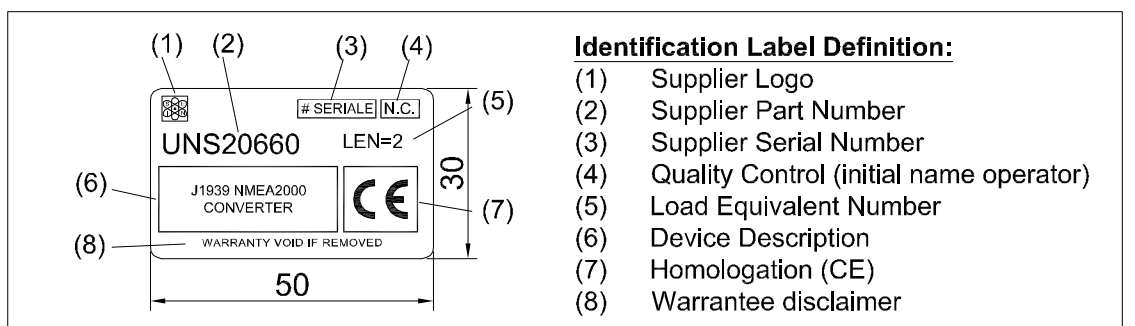
DIP Switch



Dip	Function
1	Reserved
2	Reserved
3	Engine instance
4	NMEA2000 Dev. Instance



Technical features	
Case material	PC-GFS (polycarbonate)
Dimensions	93 x 93 x 62 mm
Bolt circle	108 mm
Weight	< 0.5 Kg
Power supply	12-24 Vdc - <500mA
Network ports	1 x NMEA2000 1 x J1939
Operating temperature	0..+55 °C
Protection grade	IP67
RoHS Compliant	
Technical reference standard: IEC60945	
The UNS20660 can be powered via J1939 pin 2-3	
The unit is equipped with 1 x dip switch for settings and 4 x leds for diagnosis	



Rev:	Date:	Descrizione modifiche - Description of changes:	SAN GIORGIO S.E.I.N. GENOVA - ITALY			
0	27/02/19	First issue	Tel. 010-8301222 - www.sangiorgiosein.com			
1	22/03/19	Elimination of the two cables CAB20101	J1939 NMEA2000 CONVERTER - UNS20660			
2	14/05/20	Modified layout	Number:	Product code:	Sheet:	Size:
3	27/10/20	Modified pin-out numbers of M12 connector	D190306	UNS20660	1/1	A3
			Compiled:	Checked:	Approved:	
			Silvestri M.	Manuelli M.	Manuelli M.	

Se non diversamente specificato, tutte le dimensioni sono da intendersi in mm e le tolleranze delle quote ±0.1mm