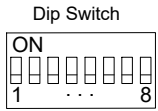
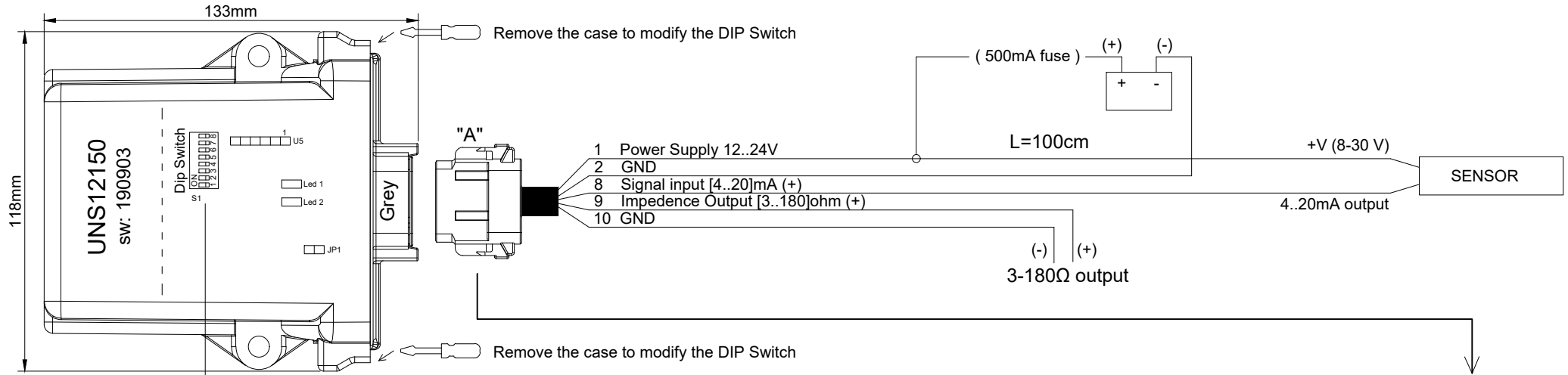


UNS12150 - CONVERTER FOR PRESSURE LEVEL SENSOR (VOLVO EVC)



INTERNAL DIAGNOSTIC LED

Led 1 (green):
 - if system OK => Slow blink [T_On=1s + T_Off=1s]
 - if signal input < 2mA => Fast blink [T_On=100ms+T_Off=100ms]

Led 2 (orange):
 - ON = Diagnostic mode

DIP SWITCH DESCRIPTION				
Dip Switch 8th position = Off (Default)			Dip Switch 8th position = On (Diagnostic)	
Dip Switch	Gain [%]	Range [mA]	Dip Switch	Impedance [ohm]
All Off [1..7]	+ 0,0	4..20,0	All Off [1..7]	+ 0
Dip_1 = On	+ 1,5	4..19,76	Dip_1 = On	+ 5
Dip_2 = On	+ 3,0	4..19,53	Dip_2 = On	+ 10
Dip_3 = On	+ 6,0	4..19,08	Dip_3 = On	+ 20
Dip_4 = On	+ 12,5	4..18,21	Dip_4 = On	+ 40
Dip_5 = On	+ 27,0	4..16,61	Dip_5 = On	+ 80
Dip_6 = On	+ 61,0	4..13,93	Dip_6 = On	+ 160
Dip_7 = On	+ 160,0	4..10,17	Dip_7 = On	+ 320

EXTERNAL CONNECTION

Connector "A" (DTM06-12SA - Grey)

1: Power Supply (12...24Vdc)
 2: GND
 3: Not Connect
 4: Not Connect
 5: Not Connect
 6: Not Connect
 7: Not Connect
 8: Signal input [4..20]mA (+)
 9: Impedance Output [3..180]Ω (+)
 10: GND
 11: Not Connect
 12: Not Connect

Gain adjust of the [4..20] mA input signal

Fixed impedance output control for diagnostic temporary mode
 Value limited internally to 507ohm maximum

TECHNICAL SPECIFICATIONS

Protection grade: IP68 Temp. Range: -20..+70°C
 Power Supply: 9..32Vdc Dimension: 118x133x36mm
 Current Consumption: <500mA Weight: <0.5kg

Deutsch Connectors:
 "A" DTM06-12SA (CON70389) + WM-12S (CON70391) + 12x0462-201-20141 (CON70216/5)

Deutsch Accessories:
 Pin Extractor: SRK-RT-01
 Crimping Tool: HDT-48-00

Rev:	Date:	Descrizione modifiche - Description of changes:	SAN GIORGIO S.E.I.N. GENOVA - ITALY			
0	04/09/19	First iusse	Tel. 010-8301222 - www.sangiorgiosein.com			
1	02/10/19	Modify gain table and add diagnostic fixed impedance output control table	Converter for pressure level sensor 4-20mA input			
2	28/07/20	Change 3-180ohm value	3-180ohm output for VOLVO EVC engine			
3	10/09/21	Note for disassembly of the converter and modified layout	Number:	Product code:	Sheet:	Size:
			D190904	UNS12150	1/1	A4
			Compiled:	Checked:	Approved:	
			Silvestri M.	Casaretto G.	Manuelli M.	

Se non diversamente specificato, tutte le dimensioni sono da intendersi in mm e le tolleranze delle quote ±0.1mm